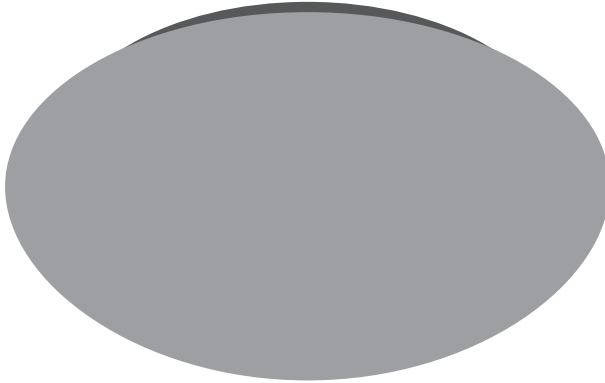
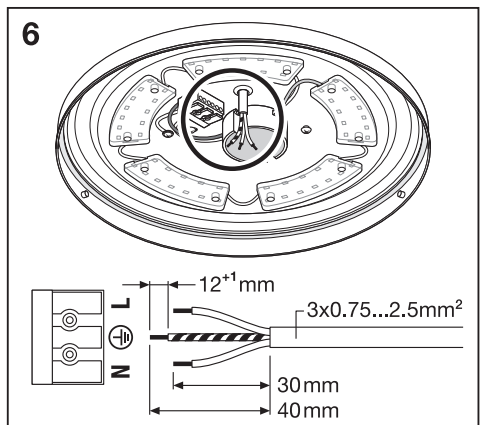
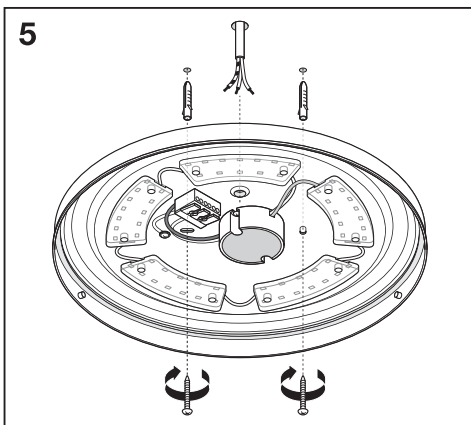
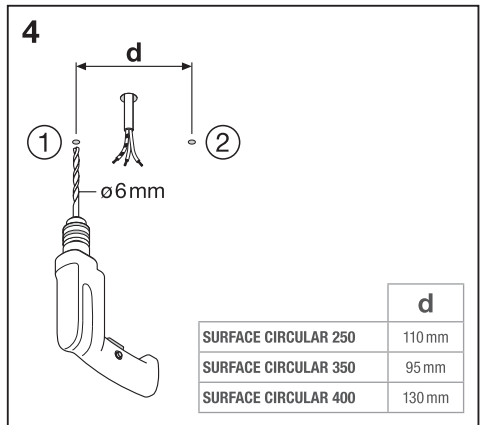
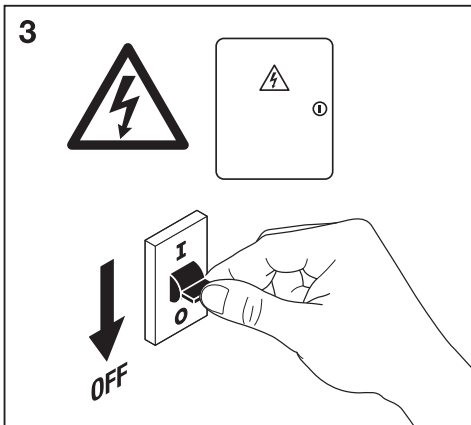
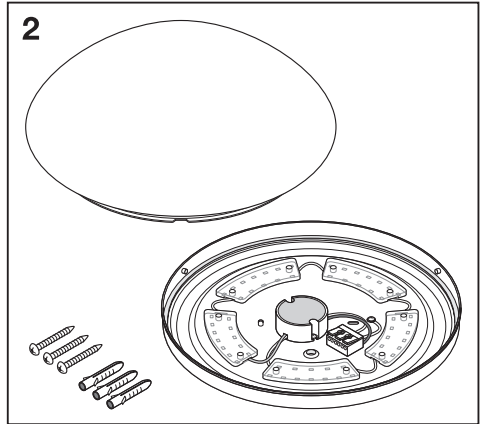
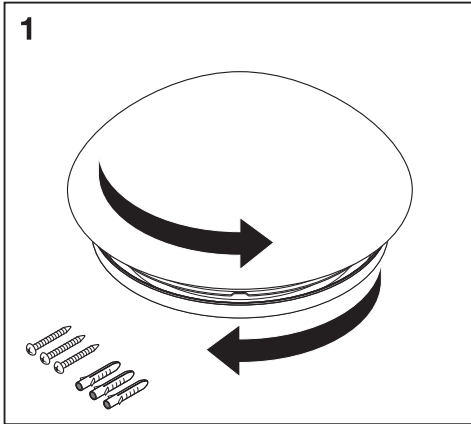

SURFACE CIRCULAR

SURFACE CIRCULAR SENSOR

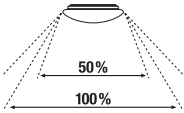
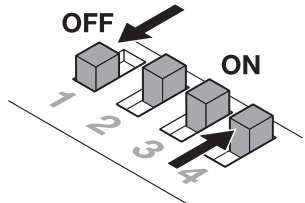
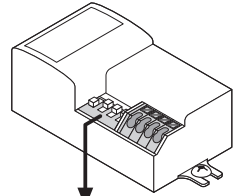
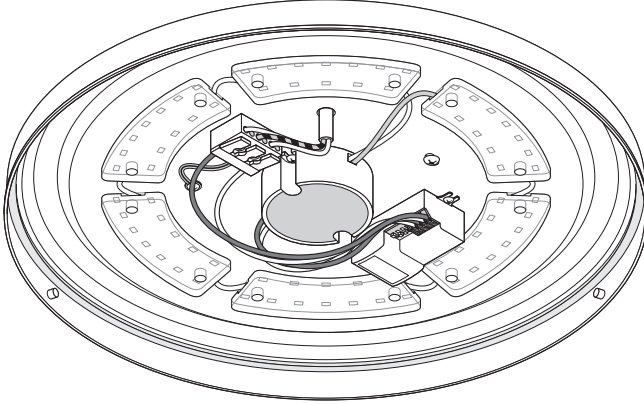


	EAN	Ø x h [mm]	W	lm	lm/W	K	IP	IK
SF CIRCULAR 250 13W/3000K	4058075110120	250x91	13	920	70	3000	44	03
SF CIRCULAR 250 13W/4000K	4058075110144	250x91	13	960	75	4000	44	03
SF CIRCULAR 250 13W/3000K S	4058075110168	250x91	13	920	70	3000	44	03
SF CIRCULAR 250 13W/4000K S	4058075110182	250x91	13	960	75	4000	44	03
SF CIRCULAR 350 18W/3000K	4058075080010	350x115	18	1440	80	3000	44	03
SF CIRCULAR 350 18W/4000K	4058075080034	350x115	18	1440	80	4000	44	03
SF CIRCULAR 350 18W/3000K S	4058075110205	350x115	18	1440	80	3000	44	03
SF CIRCULAR 350 18W/4000K S	4058075110229	350x115	18	1440	80	4000	44	03
SF CIRCULAR 400 24W/3000K	4058075080058	400x120	24	1920	80	3000	44	03
SF CIRCULAR 400 24W/4000K	4058075080072	400x120	24	1920	80	4000	44	03
SF CIRCULAR 400 24W/3000K S	4058075080096	400x120	24	1920	80	3000	44	03
SF CIRCULAR 400 24W/4000K S	4058075080119	400x120	24	1920	80	4000	44	03

	EAN	temp (°C)	∠	R _a	V _{AC}	Hz	👤
SF CIRCULAR 250 13W/3000K	4058075110120	-20...+40	120°	> 80	220-240V	50/60Hz	0.3kg
SF CIRCULAR 250 13W/4000K	4058075110144	-20...+40	120°	> 80	220-240V	50/60Hz	0.3kg
SF CIRCULAR 250 13W/3000K S	4058075110168	-20...+40	120°	> 80	220-240V	50/60Hz	0.3kg
SF CIRCULAR 250 13W/4000K S	4058075110182	-20...+40	120°	> 80	220-240V	50/60Hz	0.3kg
SF CIRCULAR 350 18W/3000K	4058075080010	-20...+40	120°	> 80	220-240V	50/60Hz	0.6kg
SF CIRCULAR 350 18W/4000K	4058075080034	-20...+40	120°	> 80	220-240V	50/60Hz	0.6kg
SF CIRCULAR 350 18W/3000K S	4058075110205	-20...+40	120°	> 80	220-240V	50/60Hz	0.7kg
SF CIRCULAR 350 18W/4000K S	4058075110229	-20...+40	120°	> 80	220-240V	50/60Hz	0.7kg
SF CIRCULAR 400 24W/3000K	4058075080058	-20...+40	120°	> 80	220-240V	50/60Hz	0.7kg
SF CIRCULAR 400 24W/4000K	4058075080072	-20...+40	120°	> 80	220-240V	50/60Hz	0.7kg
SF CIRCULAR 400 24W/3000K S	4058075080096	-20...+40	120°	> 80	220-240V	50/60Hz	0.8kg
SF CIRCULAR 400 24W/4000K S	4058075080119	-20...+40	120°	> 80	220-240V	50/60Hz	0.8kg



6a: SURFACE CIRCULAR SENSOR



Detection Area

1	
ON	100%
-	50%



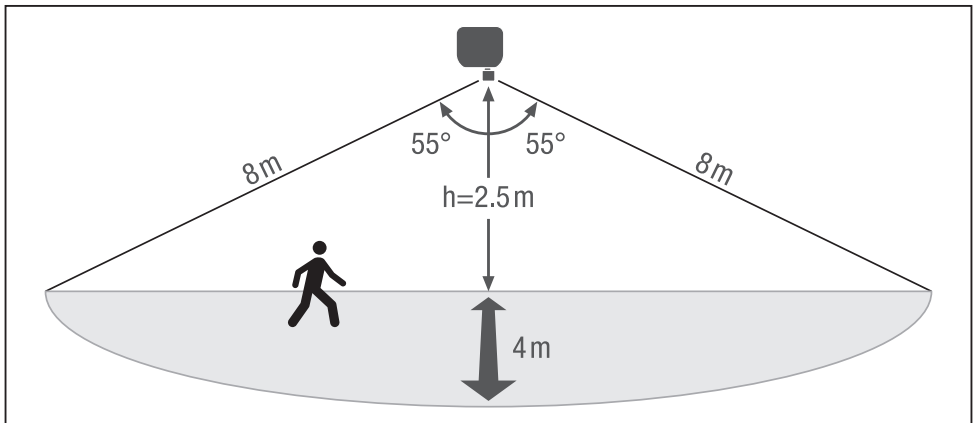
Hold Time

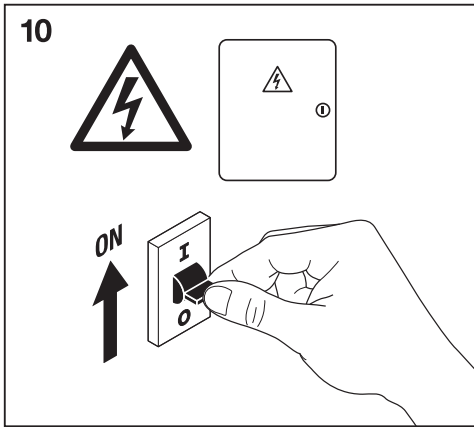
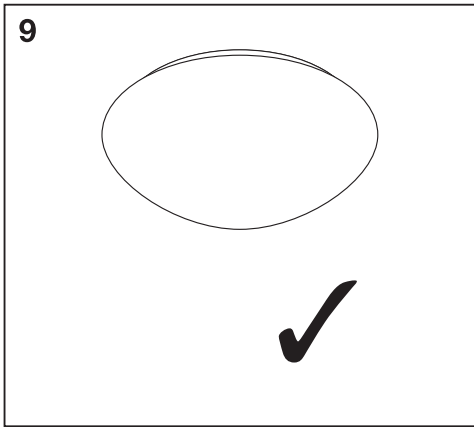
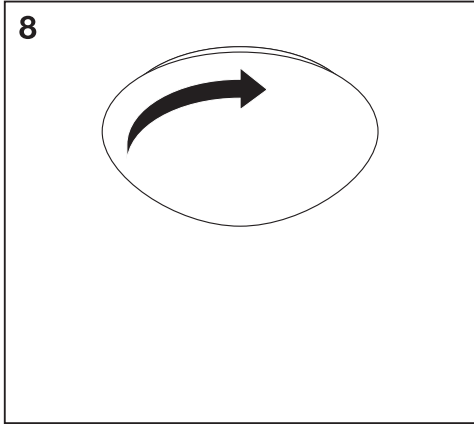
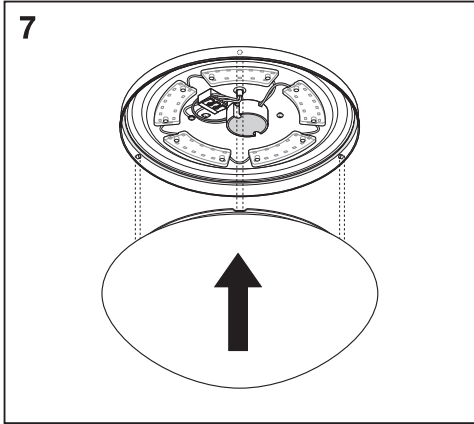
2	3	
ON	ON	5 s
ON	ON	1 min
-	ON	3 min
-	-	10 min



Daylight Sensor

4	
ON	25 LUX
-	Disable





CE   EAC RoHS



C10449057
G11033888
21.12.17



LEDVANCE GmbH
Steinerne Furt 62
86167 Augsburg, Germany
www.ledvance.com